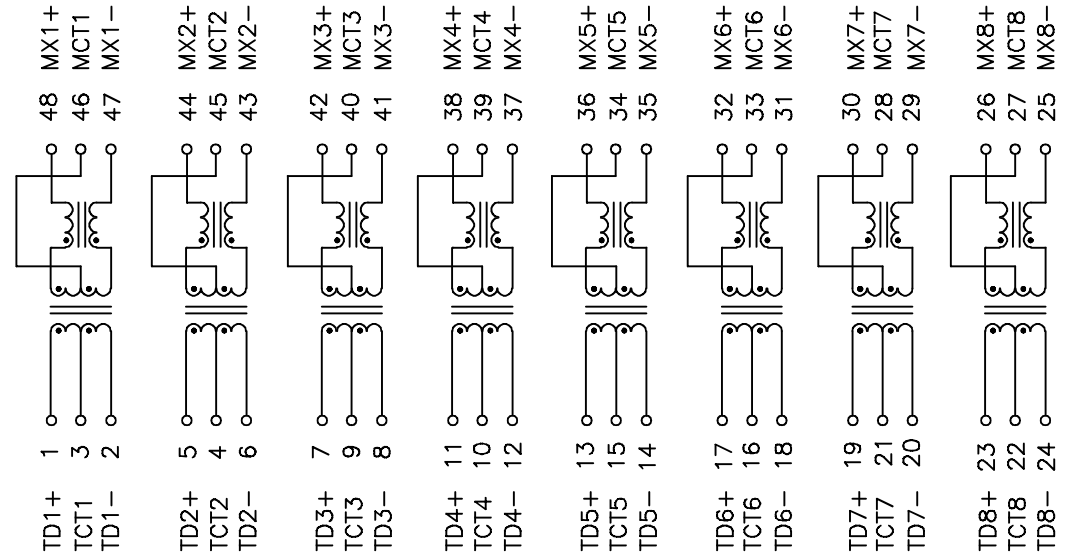


SUGGESTED PCB LAYOUT



ELECTRICAL CHARACTERISTICS:

- TURN RATIO : TX = 1CT : 1CT ±3%
RX = 1CT : 1CT ±3%
- OCL(@100KHZ,0.1Vrms W/H 8mA/DC BIAS) : 350uH MIN.
- HI-POT : 1.5KVrms
- CROSS TALK ATTENUATION:
30 MHz = -43dB MIN. 60 MHz = -37dB MIN.
100 MHz = -33dB MIN.
- RETURN LOSS :
1-30MHz = -18dB MIN. 40MHz = -14.4dB MIN.
50MHz = -13.1dB MIN. 60-80MHz = -12dB MIN.
100MHz = -10dB MIN.
- INSERTION LOSS : 1-100MHz = -1.0dB MAX.
- DCMR : 30MHz = -40dB MIN. 60MHz = -35dB MIN.
100MHz = -30dB MIN.
- OPERATING TEMPERATURE RANGE : -40°C~+85°C
- Suitable for End-span PoE Application with 350mA Current capability
- RoHS COMPLIANT

UNLESS OTHERWISE SPECIFIED ALL TOLERANCES ARE XX.XX±0.25 0.XX±0.05

								TITLE 10/100/1000 BASE-T TRANSFORMER	
								DWG. NO. ATPL-470TR	
RELEASE						UNITS:		SAFETY	
NO: DESCRIPTION DATE BY CHK APPD						DATE		P/N:	
REVISIONS								SHEET 1 of 1	
								DRAW	